

材 質 Material	環保粉面柔彩紙200g
印刷條件 Treatment	單色+Pantone151C, 雙面印, 對折 成形尺寸 85x85mm R: 3mm

比例 Scale	1.0
-------------	-----


R: 3mm

170

85



The product features, specifications sheets and instructions may differ from actual products. Please refer to Brinno official site for the latest version of user manual. [www.brinno.com](http://www.brinno.com)

<b>Model No.</b>	ATH1000
<b>Compatible Camera</b>	TLC2000; TLC2020
<b>IP- Rating</b>	IP67 (Waterproof)
<b>Camera Mount</b>	1/4"
<b>Size (LxWxH)</b>	3.8 x 2.3 x 3.5 in (9.6 x 5.8 x 9.0 cm)
<b>Weight</b>	4.2 oz (120 g)
<b>In the Box</b>	Waterproof Housing ; Desiccant ; Rubber strap

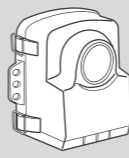




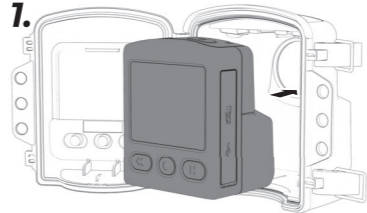
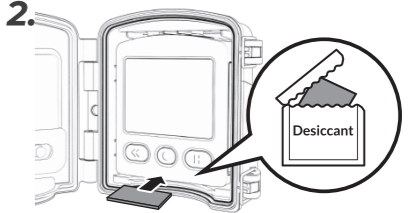
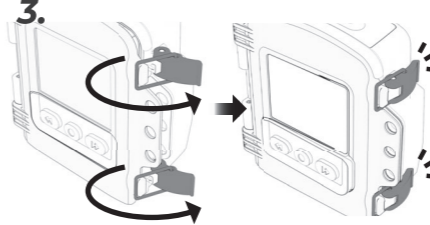

**ATH 1000**


**Quick Guide**






Copyright © 2019 Brinno All Rights Reserved      301-0149-00 UN\_A1

 x1
  x2
  x1

- 1.** 
- 2.** 
- 3.** 
- 4.** 



 ✓  
 ✗